



Forest Dental Component Catalogue

LIGHT SERVICE
ITEMS **1**

HANDPIECE
CONTROLS **2**

ARM
SYSTEMS **3**

SYRINGES **4**

FOOT
CONTROLS **5**

VACUUM **6**

HOLDERS **7**

VALVES **8**

ACCESSORIES **9**

FITTINGS **10**

TUBING **11**

SERVICE
ITEMS **12**

PARTS
BREAKDOWN **13**

Phantom Head Dental

950 Manchester Road
Linthwaite, Huddersfield, HD7 5QS

Tel/Ans: 01484 843 100
Fax: 01484 843 888

Email: sales@phantomhead.com
Website: www.phantomhead.com



Valves

8

TOGGLE VALVE, ON/OFF



FEATURES

- Positive on/off control
- Brass construction
- Nickel plated
- Port size 10-32
- Mounting hardware, 15/32-32

DESCRIPTION

2-WAY W/O EXHAUST

GRAY
BLACK

3-WAY W/ EXHAUST

GRAY
BLACK

TOGGLE ONLY

GRAY
BLACK

PART NO.

1100-402
1100-102

1100-403
1100-103

0010-209
0010-023

TOGGLE VALVE, ON/OFF, MOMENTARY



FEATURES

- Positive on/off control
- Brass construction
- Nickel plated
- Port size 10-32
- Mounting hardware, 15/32-32

Note: No toggle only for black

DESCRIPTION

2-WAY W/O EXHAUST

GRAY
BLACK

3-WAY W/ EXHAUST

GRAY
BLACK

TOGGLE ONLY

GRAY

PART NO.

1100-425
1100-125

1100-424
1100-124

0010-208

PUSH BUTTON, ON/OFF, MOMENTARY



FEATURES

- Positive on/off control
- Brass construction
- Nickel plated
- Port size 10-32
- Mounting hardware, 15/32-32

DESCRIPTION

2-WAY W/O EXHAUST N/C

GRAY
BLACK

3-WAY W/ EXHAUST

N/C GRAY
N/C BLACK
N/O BLACK

PART NO.

1100-441
1100-141

1100-142
1100-371
1100-144



Valves

8

NEEDLE CONTROL VALVE									
	<p>FEATURES</p> <ul style="list-style-type: none"> • Variable control for air and water • Brass construction • Nickel plated • Port size 10-32 • Mounting hardware, 15/32-32 <p>Note: See below for knob</p>								
	<table border="0"> <tr> <td>DESCRIPTION</td> <td>PART NO.</td> </tr> <tr> <td>NEEDLE CONTROL VALVE w/o BARBS</td> <td>1100-100</td> </tr> <tr> <td>NEEDLE CONTROL VALVE w/ STYLE II KNOB (GRAY) & BARBS</td> <td>1100-181</td> </tr> <tr> <td>NEEDLE CONTROL VALVE w/ STYLE II KNOB (BLACK) & BARBS</td> <td>1100-372</td> </tr> </table>	DESCRIPTION	PART NO.	NEEDLE CONTROL VALVE w/o BARBS	1100-100	NEEDLE CONTROL VALVE w/ STYLE II KNOB (GRAY) & BARBS	1100-181	NEEDLE CONTROL VALVE w/ STYLE II KNOB (BLACK) & BARBS	1100-372
	DESCRIPTION	PART NO.							
	NEEDLE CONTROL VALVE w/o BARBS	1100-100							
NEEDLE CONTROL VALVE w/ STYLE II KNOB (GRAY) & BARBS	1100-181								
NEEDLE CONTROL VALVE w/ STYLE II KNOB (BLACK) & BARBS	1100-372								

FLOW RESTRICTOR VALVE				
	<p>FEATURES</p> <ul style="list-style-type: none"> • Variable restriction for air or water (pinch type) • Accommodates tubing to 1/4" O.D. • Brass construction • Nickel plated • Mounting hardware, 15/32-32 <p>Note: See below for knob</p>			
	<table border="0"> <tr> <td>DESCRIPTION</td> <td>PART NO.</td> </tr> <tr> <td>FLOW RESTRICTOR VALVE</td> <td>1100-101</td> </tr> </table>	DESCRIPTION	PART NO.	FLOW RESTRICTOR VALVE
DESCRIPTION	PART NO.			
FLOW RESTRICTOR VALVE	1100-101			

FLOW RESTRICTOR				
	<p>FEATURES</p> <ul style="list-style-type: none"> • Variable restriction for air or water (pinch type) • Accommodates tubing to 1/4" O.D. • Brass construction • Nickel plated • Mounts directly on tubing 			
	<table border="0"> <tr> <td>DESCRIPTION</td> <td>PART NO.</td> </tr> <tr> <td>FLOW RESTRICTOR</td> <td>1100-130</td> </tr> </table>	DESCRIPTION	PART NO.	FLOW RESTRICTOR
DESCRIPTION	PART NO.			
FLOW RESTRICTOR	1100-130			

PLASTIC KNOB							
	<p>Replacement knob for control valves with 1/4" O.D. shaft.</p>						
	<table border="0"> <tr> <td>DESCRIPTION</td> <td>PART NO.</td> </tr> <tr> <td>STYLE I</td> <td></td> </tr> <tr> <td>GRAY</td> <td>0010-201</td> </tr> </table>	DESCRIPTION	PART NO.	STYLE I		GRAY	0010-201
	DESCRIPTION	PART NO.					
	STYLE I						
GRAY	0010-201						
<table border="0"> <tr> <td>STYLE II</td> <td></td> </tr> <tr> <td>GRAY</td> <td>0010-202</td> </tr> <tr> <td>BLACK</td> <td>0010-012</td> </tr> </table>	STYLE II		GRAY	0010-202	BLACK	0010-012	
STYLE II							
GRAY	0010-202						
BLACK	0010-012						

DECORATIVE TRIM NUT				
	<p>Decorative panel mount nut, 15/32-32.</p>			
	<table border="0"> <tr> <td>DESCRIPTION</td> <td>PART NO.</td> </tr> <tr> <td>SMOOTH NUT (SILVER)</td> <td>0013-016</td> </tr> </table>	DESCRIPTION	PART NO.	SMOOTH NUT (SILVER)
DESCRIPTION	PART NO.			
SMOOTH NUT (SILVER)	0013-016			



Valves

8

AIR PILOT VALVE, ON/OFF



FEATURES

- Positive on/off control
- Brass construction
- Nickel plated
- 1/16" barb fitting
- Port size 10-32
- Mounting hardware, 15/32-32

DESCRIPTION

2-WAY W/O EXHAUST, N/C
 3-WAY W/ EXHAUST, N/C

PART NO.

1100-136
 1100-137

AIR PILOT VALVE, ON/OFF



FEATURES

- Positive on/off control
- Brass construction
- Nickel plated
- 1/16" barb fitting
- Port size 10-32

DESCRIPTION

2-WAY W/O EXHAUST, N/O

PART NO.

1100-138

CHECK VALVE



May be installed in water coolant system of most handpiece controls to eliminate retraction.

FEATURES

- Brass construction
- Nickel plated
- 1/16" barb fitting
- Port size 10-32
- Flow rate, .5 SCFM @ 50 PSI
- Crackling pressure, 2.5 PSI
- Operating range, 0-150 PSI

DESCRIPTION

CHECK VALVE

PART NO.

1100-105

SHUTTLE VALVE



Designed with two inlets and one outlet. Valve permits free flow from the high pressure side, while blocking the low pressure side.

FEATURES

- For use with air or water
- Inport (shuffled), 2
- Outport, 1
- Brass construction
- Nickel plated
- 1/16" x 10-32 barbs with sleeves

DESCRIPTION

SHUTTLE VALVE

PART NO.

1100-140

Phantom Head Dental

950 Manchester Road
 Linthwaite, Huddersfield, HD7 5QS

Tel/Ans: 01484 843 100
 Fax: 01484 843 888


Email: sales@phantomhead.com
 Website: www.phantomhead.com



Valves

8

WATER RELAY VALVE



Designed for on/off control of handpiece water coolant.


FEATURES

- Non-retraction
- Brass construction
- Nickel plated
- 1/16" barb fitting
- Port size 10-32

DESCRIPTION
WATER RELAY VALVE

PART NO.
1100-039

WATER RELAY VALVE



Designed for on/off control of handpiece water coolant.


FEATURES

- Non-retraction
- Positive on/off control
- Brass construction
- Nickel plated
- 1/16" barb fitting
- Port size 10-32

DESCRIPTION
2-WAY W/O EXHAUST N/C

PART NO.
1100-145

ROUTING VALVE




FEATURES

- Routing control for air or water
- Brass construction
- Nickel plated
- Port size 10-32
- Mounting hardware, 15/32-32

DESCRIPTION
GRAY
BLACK

PART NO.
1100-404
1100-104

VALVE MOUNTING BRACKET




Used for mounting valves or switches. 1/2" I.D. holes.

DESCRIPTION
SINGLE
DUAL

PART NO.
0023-170
0023-171

VALVE MOUNTING BRACKET



Used for mounting valves or switches. 1/2" I.D. holes.

DESCRIPTION
SINGLE
DUAL

PART NO.
0023-281
0023-282



Valves

8 AUTOMATIC HANDPIECE CONTROL BLOCK



Miniature assembly for selection and operation of drive air and air/water coolants for 2 to 4 air driven handpieces. Designed for use with automatic handpiece holders (see pg. 32).

DESCRIPTION	PART NO.
DUO-BLOCK (2 HP)	1100-175
TRI-BLOCK (3 HP)	1100-170
QUAD-BLOCK (4 HP)	1100-270
DUO-BLOCK DIAPHRAGM	0022-021
TRI-BLOCK DIAPHRAGM	0022-020
QUAD-BLOCK DIAPHRAGM	0022-024

HANDPIECE LOGIC VALVE



Designed for use with any non-toggle style automatic handpiece holder. Once installed, the first handpiece out has priority which automatically locks out all remaining handpieces.

DESCRIPTION	PART NO.
PISTON STYLE (3 HP CONTROL)	1100-058
PINCH STYLE (1 PER HP)	1100-059
FLEX VALVE (1 PER HP)	1100-365

ROUND GAUGE



FEATURES

- 1/8 MPT fitting
- For use with air or water

DESCRIPTION	PART NO.
1" DIA. GAUGE (0-60 PSI)	0020-030
1" DIA. GAUGE (0-160 PSI)	0020-033
1-1/2" DIA. GAUGE (0-160 PSI)	0020-021

RECTANGULAR GAUGE



FEATURES

- 0-60 PSI
- 1/2" high x 1-3/4" wide
- Panel mount
- 10-32 port
- For use with air only

DESCRIPTION	PART NO.
RECTANGULAR GAUGE	0020-023

Phantom Head Dental

950 Manchester Road
Linthwaite, Huddersfield, HD7 5QS

Tel/Ans: 01484 843 100
Fax: 01484 843 888

Email: sales@phantomhead.com
Website: www.phantomhead.com



Valves

8

PANEL MOUNT GAUGE



FEATURES

- 0-100 PSI
- 1-5/8" dia.
- 1/8 MPT of 10-32 port
- For use with air or water

DESCRIPTION
PANEL MOUNT GAUGE

PART NO.
0020-024

PNEUMATIC INDICATOR



FEATURES

- 25-120 PSI operating range
- 10-32 port
- Mounting hardware, 15/32-32

DESCRIPTION
GREEN INDICATOR

PART NO.

GRAY
BLACK

0020-078
0020-068

RED INDICATOR

GRAY
BLACK

0020-079
0020-069

UMBILICAL CUFF



Designed to adapt umbilical with spiral flex housing to utility center. Includes mounting hardware.

Note: See pg 78 for custom umbilicals

DESCRIPTION
FOR 3/4" I.D. TUBING
FOR 1" I.D. TUBING
FOR 1-1/2" I.D. TUBING

PART NO.
1115-090
1115-091
1115-093

UMBILICAL CUFF



Designed to adapt 1-1/4" I.D. umbilical with spiral flex housing to utility center. Contains set of 2 cuffs.

Note: See pg 78 for custom umbilicals

DESCRIPTION
UMBILICAL CUFF

PART NO.
1115-088

UMBILICAL CUFF



Designed to adapt 2" I.D. umbilical with spiral flex housing to utility center. Contains set of 2 cuffs.

Note: See pg 78 for custom umbilicals

DESCRIPTION
UMBILICAL CUFF

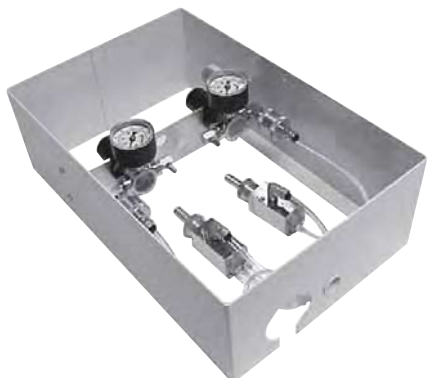
PART NO.
1115-089



Valves

8

STANDARD UTILITY CENTER



FEATURES

- Air and water pressure regulators with filters
- Master air and water shut-off valves
- Manual air and water shut-off valves
- Aluminum housing, powder coat finish
- Plastic cover, 4 1/2" x 9" x 14"

DESCRIPTION

COMPLETE UTILITY CENTER
(accepts all umbilical cuffs except 2")
COMPLETE UTILITY CENTER
(accepts 2" umbilical cuffs)
W/O HOUSING & COVER
HOUSING & COVER ONLY, STD
HOUSING & COVER ONLY, 2"
COVER ONLY

PART NO.

1115-001
1115-006
1115-004
1115-020
1115-028
1115-022

VACUUM UTILITY CENTER



FEATURES

- Master water shut-off valves
- Manual air and water shut-off valves
- Aluminum housing, powder coat finish
- Plastic cover, 4 1/2" x 9" x 14"
- Accepts all umbilical cuffs except 2"

DESCRIPTION

STANDARD VACUUM UTILITY CENTER
DELUXE VACUUM UTILITY CENTER

PART NO.

1115-003
1115-300

DELUXE UTILITY CENTER

DELUXE UTILITY CENTER

COVER



FEATURES

- Master air and water shut-off valves
- Manual air and water shut-off valves
- Aluminum housing, powder coat finish
- Plastic cover, 13 5/16" x 12 11/16"
- Accepts all umbilical cuffs except 2"

DESCRIPTION

DELUXE UTILITY CENTER w/o COVER
DELUXE UTILITY CENTER (COVER, REAR)
DELUXE UTILITY CENTER (COVER, RIGHT)
DELUXE UTILITY CENTER (COVER, LEFT)

PART NO.

1115-016
1115-177
1115-183
1115-184

MINI UTILITY ASSEMBLY



Used for assistant's accessory installation.

FEATURES

- Air and water pressure regulators with filters
- Manual air and water shut-off valves

DESCRIPTION

MINI UTILITY ASSEMBLY

PART NO.

1115-015



Valves

8

REGULATOR



Non-relieving regulator for air or water service.

FEATURES

- 0-125 PSI operating range
- Brass body
- Non-rising adjustment knob with integral lock ring
- Port size, 1/8 FPT
- Fittings not included

DESCRIPTION
REGULATOR

PART NO.
0020-020

REGULATOR WITH FILTER



Non-relieving regulator for air or water service.

FEATURES

- 0-125 PSI operating range
- Regulator with gauge
- Mounting bracket
- Filter with removable element, 35 micron filtration
- Inlet, 1/4 poly fitting
- Outlet, 10-32, 3 position
- Barbs (1/8") with sleeves included

DESCRIPTION
REGULATOR W/ FILTER

PART NO.
0020-001

REGULATOR WITH FILTER AND MASTER SHUT-OFF



Non-relieving regulator for air or water service.

FEATURES

- 0-125 PSI operating range
- Regulator with gauge
- Mounting bracket
- Filter with removable element, 35 micron filtration
- Master shut-off valve
- Inlet, 1/4 poly fitting
- Outlet, 10-32, 3 position

DESCRIPTION
REGULATOR W/ FILTER & SHUT-OFF

PART NO.
0020-050

Note: Requires 1/2 MPT to 3/8 copper compression fitting (p/n 0016-036, pg. 61) to adapt to manual shut-off valve

IN-LINE FILTER ASSEMBLY



FEATURES

- Nickel plated brass construction
- 35 micron filter disc
- Port size, 1/8 FPT
- Fittings, 1/4 poly x 1/8 MPT
- 1" dia. x 1" long

DESCRIPTION
FILTER ASSEMBLY
FILTER ONLY
REPLACEMENT FILTER DISC

PART NO.
0020-039
0020-040
0020-041



Valves

8

REGULATOR MOUNTING BRACKET



Used to mount regulator to wall or cabinet surface.

DESCRIPTION
REGULATOR MOUNTING BRACKET

PART NO.
0020-018

MINIATURE REGULATOR



For air or water service.

FEATURES

- 0-150 PSI operating range
- Nickel plated brass construction
- Port size, 10-32
- Barbs with sleeves included
- Mounting hardware, 15/32-32

DESCRIPTION
MINIATURE REGULATOR

PART NO.
0020-025

MASTER SHUT-OFF VALVE KIT



For remote or utility center installation.

FEATURES

- Master shut-off valves (2), 1/2 FPT inlet
- Toggle Valve
- Tubing
- Fittings

Note: Requires 1/2 MPT to 3/8 copper compression fitting (p/n 0016-036, pg. 61) to adapt to manual shut-off valve

DESCRIPTION
MASTER SHUT-OFF VALVE KIT

PART NO.
1100-079

MASTER SHUT-OFF VALVE



For air or water service.

FEATURES

- Nickel plated brass construction
- Inlet, 1/2 FPT
- Outlet, 1/4 poly fitting
- 1/16" x 10-32 barbs with sleeves

Note: Requires 1/2 MPT to 3/8 copper compression fitting (p/n 0016-036, pg. 61) to adapt to manual shut-off valve

DESCRIPTION
MASTER SHUT-OFF VALVE

PART NO.
1100-069

MANUAL SHUT-OFF VALVE



Used at utility center to turn off air or water during installation or service.

FEATURES

- Chrome Finish
- Inlet, 1/2 FPT
- Outlet, 3/8 I.D. compression fitting

DESCRIPTION
MANUAL SHUT-OFF VALVE

PART NO.
1100-080

Phantom Head Dental

950 Manchester Road
Linthwaite, Huddersfield, HD7 5QS

Tel/Ans: 01484 843 100
Fax: 01484 843 888

Email: sales@phantomhead.com
Website: www.phantomhead.com

